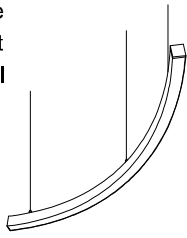


1

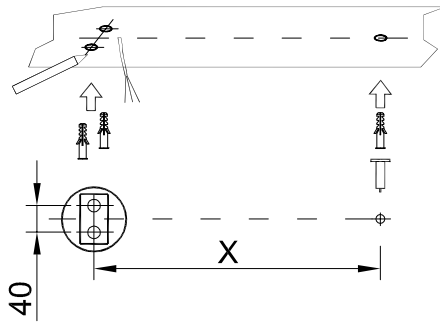
ProfiARC

All luminaires must be installed by a qualified electrician. All service works must be carried out by a qualified personnel with power disconnected.



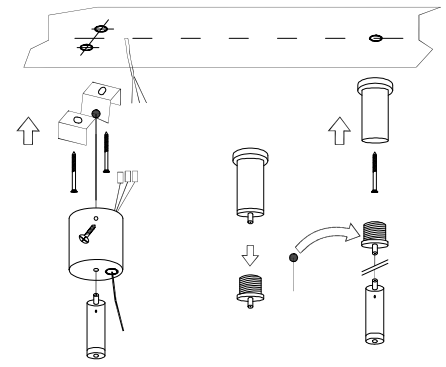
2

Trace and drill holes



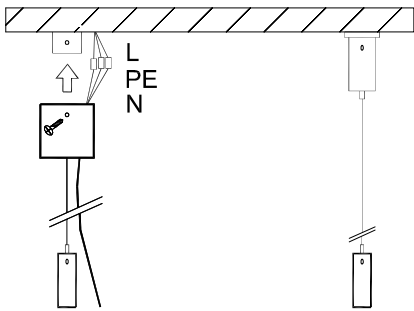
3

Mount the mounting clamps



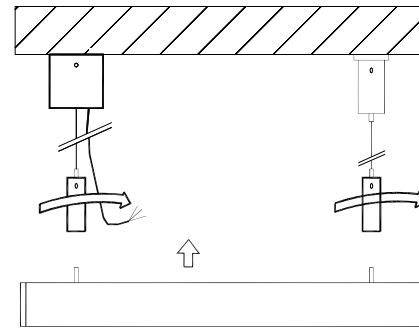
4

Connect the power supply to the electrical suspension



5

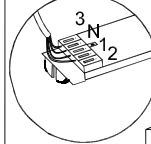
Hang the luminaire on prepared suspensions



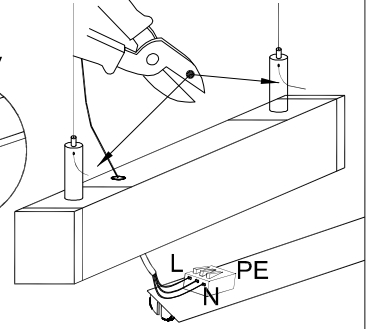
6

Connect the power supply inside the luminaire. Level the luminaire

DALI or 1-10V

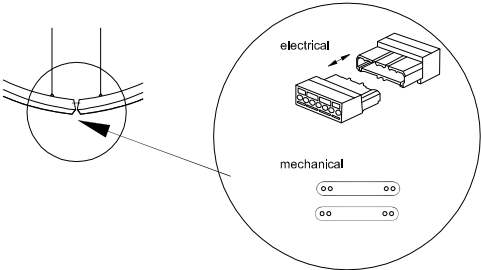


3 - L1
N - Neutral
PE - PE
1 - Dali +
2 - Dali -



7

To connect another piece of luminaire use the linear joints - electrical and mechanical (included), repeat steps from 1 - 6 to make the whole circle



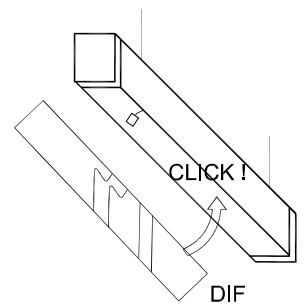
8

As an option:

After you connect all the pieces into circle, all the joints you may cover from the inner side, using the adhesive tape (included) to avoid the gaps between profiles.

9

Mount the diffuser, make sure that you put diffusers in correct order (look on the labels on profile and diffuser)



10

Turn on power supply.